



KNIFE GATE VALVES

HD SERIES



HD SERIES

The HD series is an extraordinary development of the Wey knife gate valve for operation up to a maximum pressure of 100 bar. The ingenious design ensures that the pressure of the medium creates an automatic sealing effect inside the seat area. The special bonnet design also allows media containing solids to be flushed out – and, of course, it is completely airtight. This makes the HD series ideal for the most difficult applications.



CHARACTERISTICS HD SERIES

80 – 400 mm

Nominal sizes

Stainless steel, Cast steel

Material

0 – 100 bar

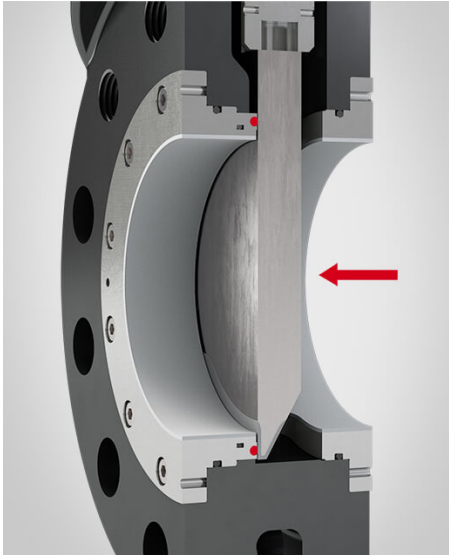
Pressure rating

PN40, PN63, PN100

Flange drilling

Special length

Face to face dimension



Inline pressure creates an automatic sealing effect in the seat area.



Robust 4-post topwork for maximum load and a wide variety of actuator types.

APPLICATION AREAS

Mining

e.g. Mining slurry, Tailings ...

Waste water treatment plants

e.g. Sludge, Digested sludge ...



Case Study – Çöpler Sulfide Expansion

High pressure knife gate valves for a gold mine in Turkey

PDF

MATERIAL OF CONSTRUCTION

Part	Cast steel	Stainless steel
Body	A216 WCB	1.4408
Gate	1.4301	1.4404*
Seal	PTFE	PTFE
Topwork	Carbon steel	Carbon steel
Stem / Piston rod	1.4104	1.4104

Other materials upon request

*hard chromed

CORROSION PROTECTION

Body	2 Comp. Epoxy-Polyamide Resin Primer, 2 Comp. Polyurethane-Enamel-Top Coat
Topwork	2 Comp. Epoxy-Polyamide Resin Primer, 2 Comp. Polyurethane-Enamel-Top Coat

ACTUATORS



Bevel gear



Pneumatic cylinder







Hydraulic cylinder




Electric actuator

DOWNLOADS

General documents

Product brochure knife gate valves	PDF	
Instruction manual	PDF	
Lubricants	PDF	
Declaration of conformity DGRL	PDF	

Data sheets

HD with handwheel or electric actuator	PDF	
----------------------------------------	-----	-------------------------------------------------------------------------------------------------------

**CONTACT US FOR YOUR TAILOR-
MADE SOLUTION.**